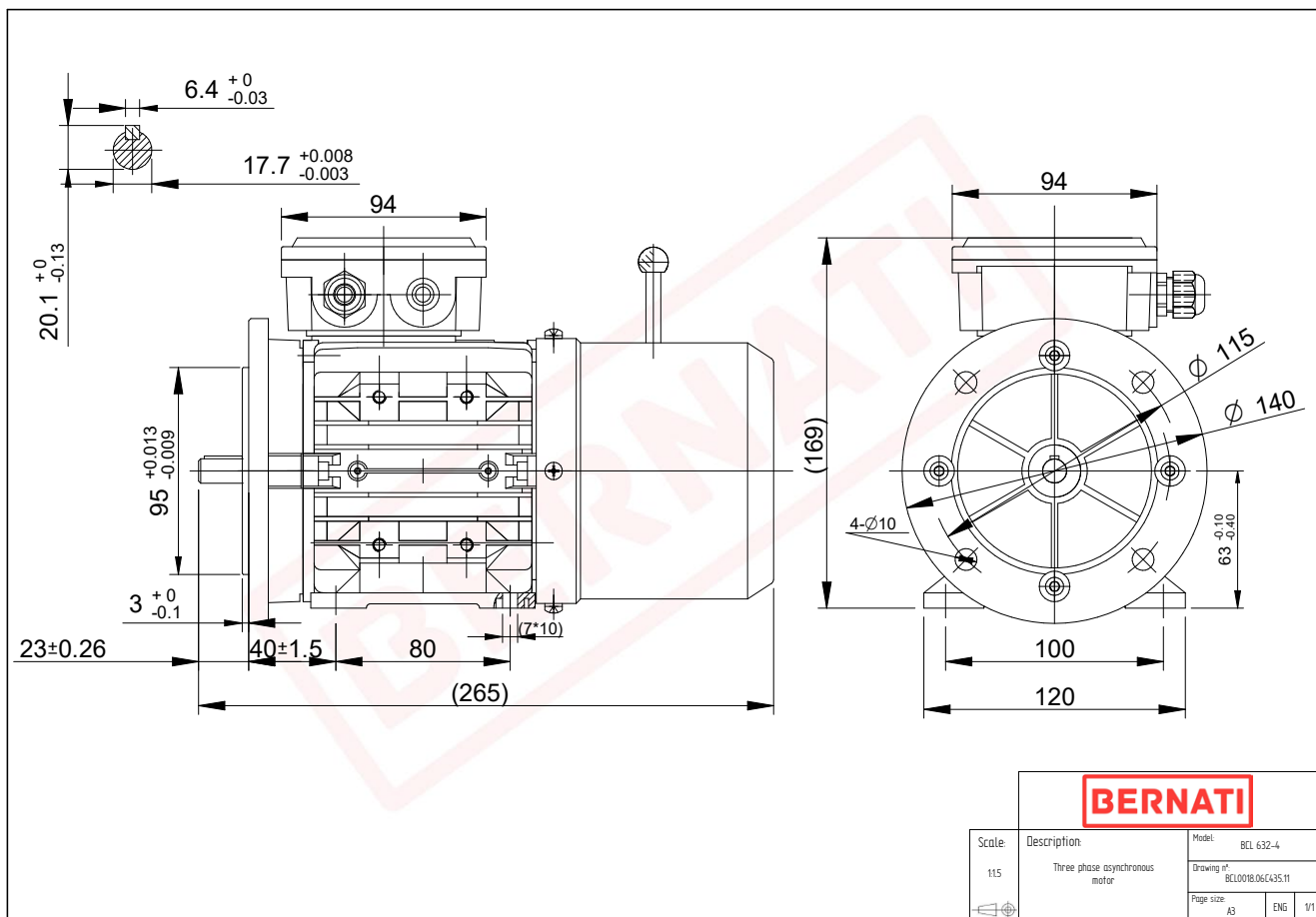


# Technical Datasheet

**BERNATI**

BCL Series - Aluminum frame three phase low voltage electric motor



## BCL

Product Code	BCL0018.06C435.11
Motor Type/Frame	BCL 632-4
Mounting	IM B3/B5
Output Power (kW)	0.18
Speed (rpm)	1365
Tension (V)	230/400
Frequency (Hz)	50
Current (A)	0.60
Power factor (Cos Ø)	0.60
Poles	4
Insulation Class	F
IP Class	IP55
50% Efficiency	55.9
75% Efficiency	62.5
100% Efficiency	64.2
Tstart / Tnominal	2.80
Istart / Inominal	3.60
Tmax / Tnominal	2.60
Noise (dB)	52
PTC Thermistor	N/A
Weight (Kg)	5
DE Bearing	6201 2RZ C3
NDE Bearing	6201 2RZ C3