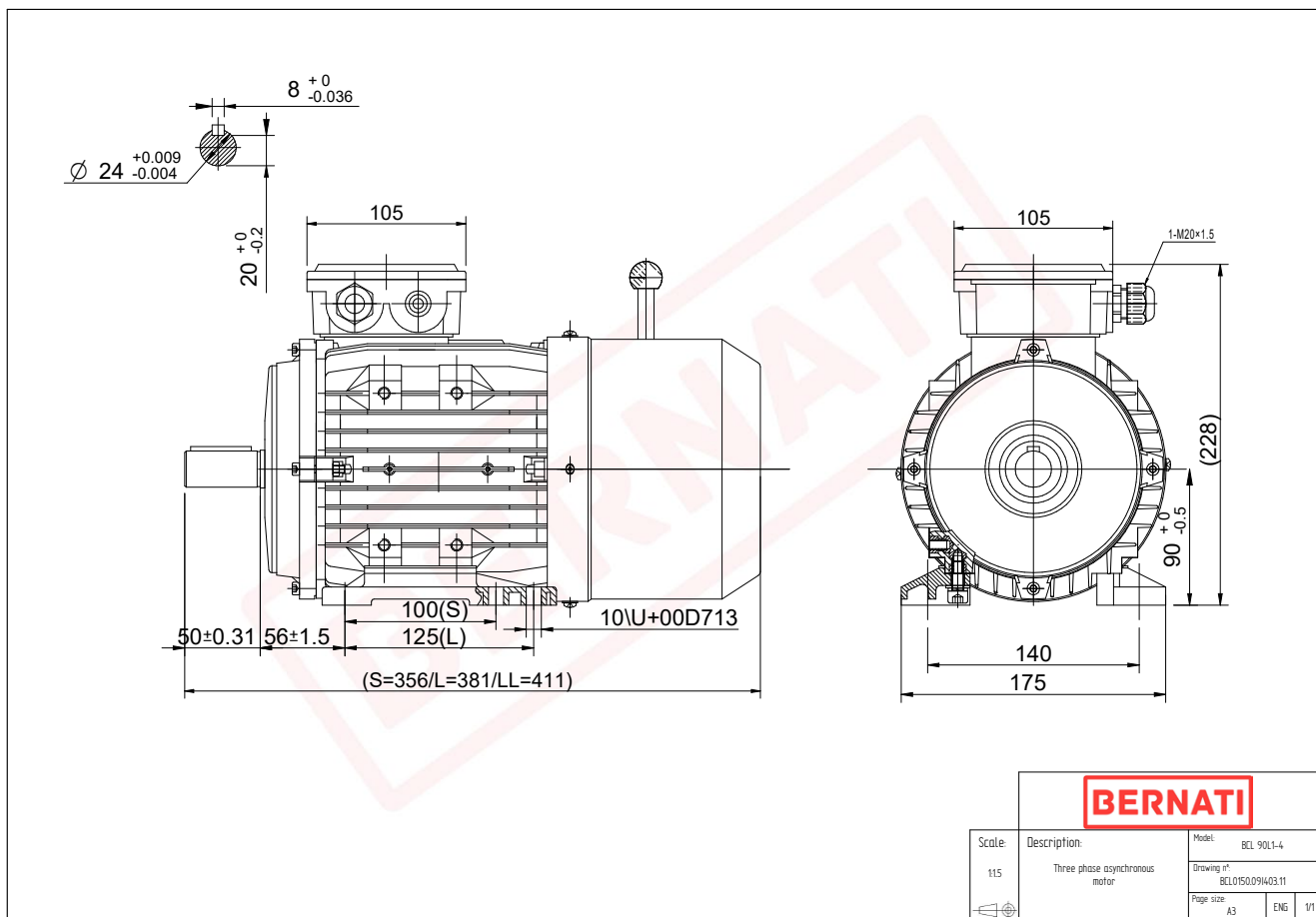


Technical Datasheet

BERNATI

BCL Series - Aluminum frame three phase low voltage electric motor



BCL

Product Code	BCL0150.09l403.11
Motor Type/Frame	BCL 90L1-4
Mounting	IM B3
Output Power (kW)	1.50
Speed (rpm)	1410
Tension (V)	230/400
Frequency (Hz)	50
Current (A)	3.60
Power factor (Cos Ø)	0.80
Poles	4
Insulation Class	F
IP Class	IP55
50% Efficiency	78.0
75% Efficiency	80.2
100% Efficiency	79.6
Tstart / Tnominal	3.40
Istart / Inominal	6.90
Tmax / Tnominal	3.30
Noise (dB)	61
PTC Thermistor	N/A
Weight (Kg)	17
DE Bearing	6205 2RZ C3
NDE Bearing	6205 2RZ C3