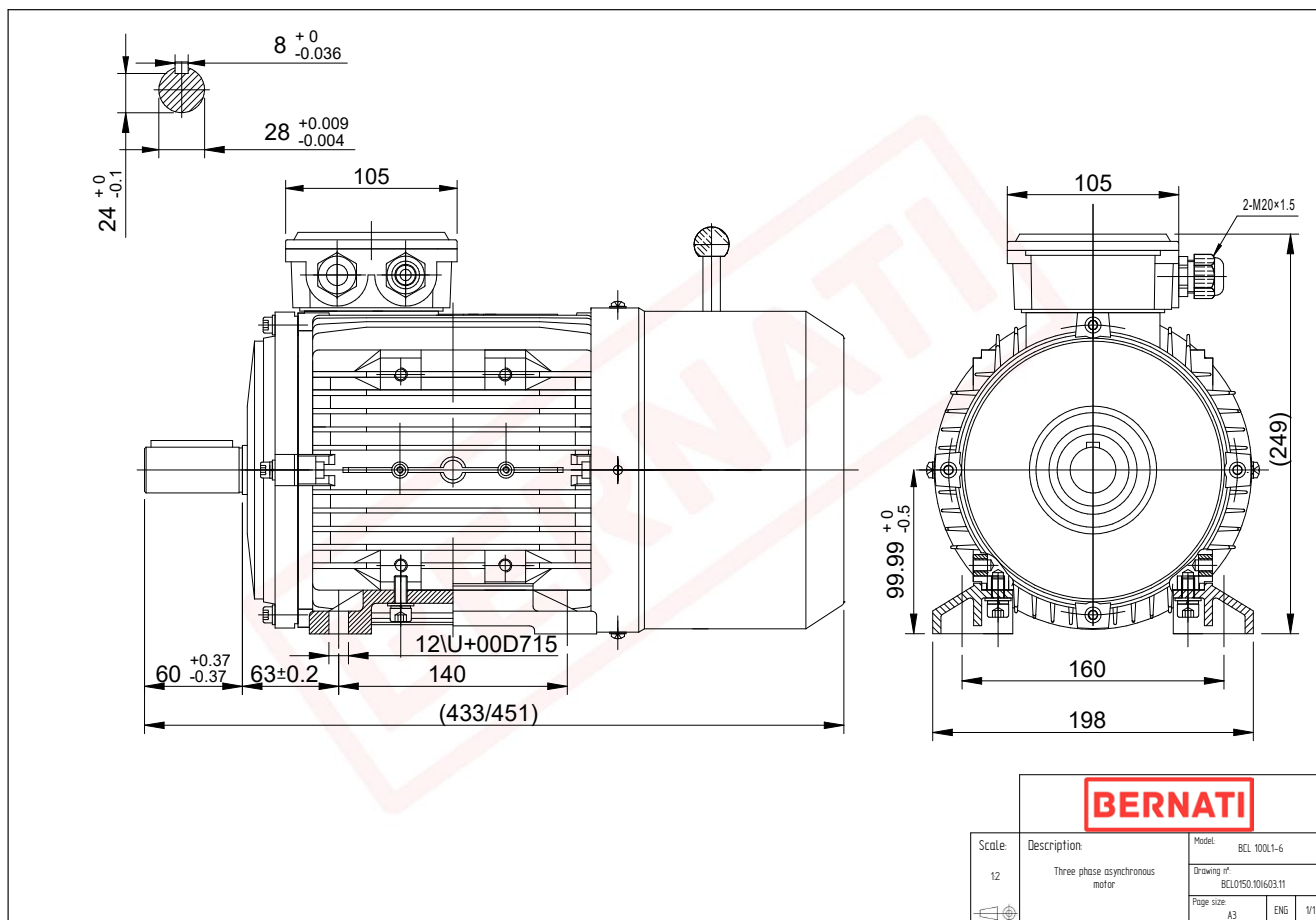


Technical Datasheet

BERNATI

BCL Series - Aluminum frame three phase low voltage electric motor



BCL

| | |
|----------------------|-------------------|
| Product Code | BCL0150.101603.11 |
| Motor Type/Frame | BCL 100L1-6 |
| Mounting | IM B3 |
| Output Power (kW) | 1.50 |
| Speed (rpm) | 935 |
| Tension (V) | 230/400 |
| Frequency (Hz) | 50 |
| Current (A) | 3.70 |
| Power factor (Cos Ø) | 0.70 |
| Poles | 6 |
| Insulation Class | F |
| IP Class | IP55 |
| 50% Efficiency | 78.2 |
| 75% Efficiency | 79.9 |
| 100% Efficiency | 78.5 |
| Tstart / Tnominal | 2.10 |
| Istart / Inominal | 5.00 |
| Tmax / Tnominal | 2.40 |
| Noise (dB) | 61 |
| PTC Thermistor | N/A |
| Weight (Kg) | 23 |
| DE Bearing | 6206 2RZ C3 |
| NDE Bearing | 6206 2RZ C3 |