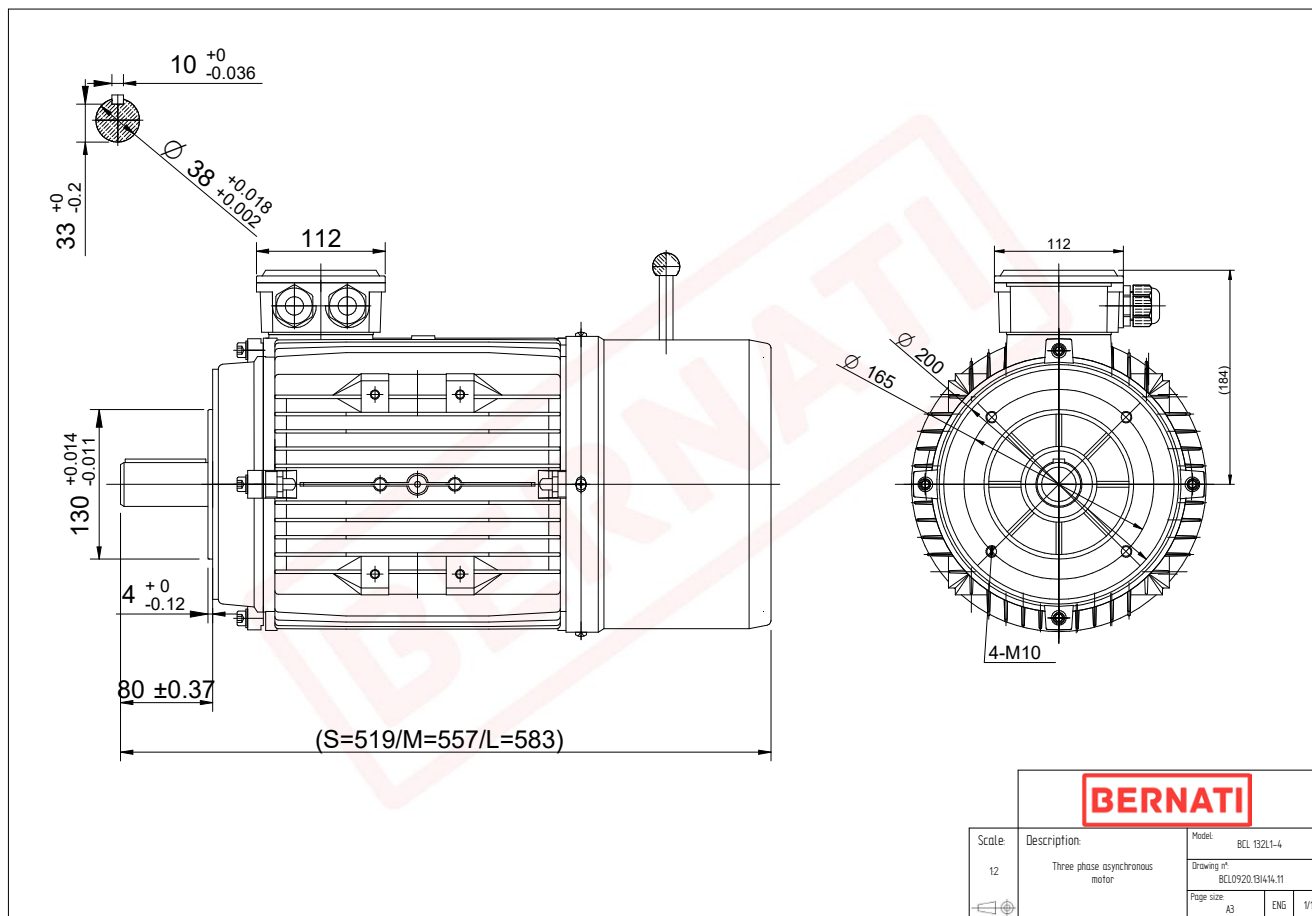


Technical Datasheet

BERNATI

BCL Series - Aluminum frame three phase low voltage electric motor



BCL

Product Code	BCL0920.13/4/4.11
Motor Type/Frame	BCL 132L1-4
Mounting	IM B14
Output Power (kW)	9.20
Speed (rpm)	1450
Tension (V)	230/400
Frequency (Hz)	50
Current (A)	17.20
Power factor (Cos Ø)	0.90
Poles	4
Insulation Class	F
IP Class	IP55
50% Efficiency	89.1
75% Efficiency	89.5
100% Efficiency	88.6
Tstart / Tnominal	2.80
Istart / Inominal	8.40
Tmax / Tnominal	2.40
Noise (dB)	74
PTC Thermistor	N/A
Weight (Kg)	65
DE Bearing	6308 2RZ C3
NDE Bearing	6208 2RZ C3