

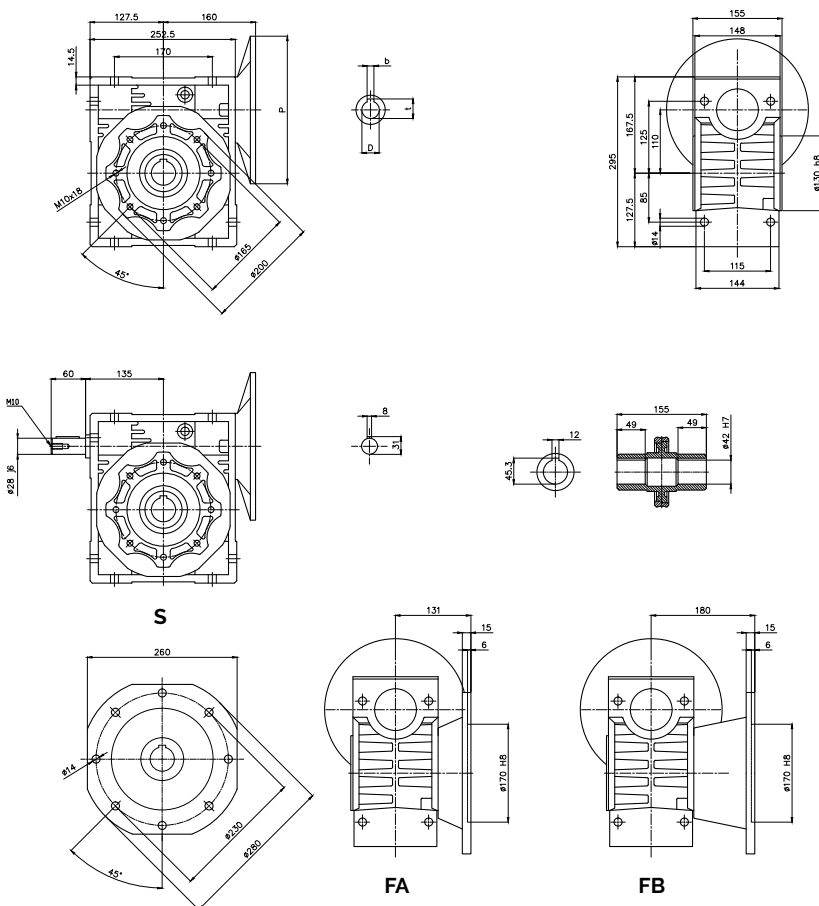
Data Sheet

BG Series - BGB Type - BGB 110

Type	i-ratio	n2 r/min	Kw=P1	Nm=T2	f.s.	PAM IEC	
BGB 110	7.5	186.7	7.50	344	1.6	132/112/100	B5/B14
	10	140.0	7.50	453	1.3	132/112/100	B5/B14
	15	93.3	7.50	659	1.0	132/112/100	B5/B14
	20	70.0	5.50	635	1.0	132/112/100	B5/B14
	25	56.0	4.00	573	1.2	112/100	B5/B14
	30	46.7	4.00	645	1.1	112/100	B5/B14
	40	35.0	3.00	636	1.1	112/100/90	B5/B14*
	50	28.0	3.00	764	0.9	112/100/90	B5/B14*
	60	23.3	2.20	645	1.0	112/100/90	B5/B14*
	80	17.5	1.50	546	0.9	90	B5/B14*
	100	14.0	1.10	470	1.0	90	B5/B14*



* 90 only B5



Gearbox Dimensions

PAM IEC	P	D_{EB}	b	t
132B5	300	38	10	41.3
112B5	250	28	8	31.3
100B5	250	28	8	31.3
90B5	200	24	8	27.3
80B5	200	19	6	21.8

PAM IEC	P	D_{EB}	b	t
132B14	200	38	10	41.3
112B14	160	28	8	31.3
100B14	160	28	8	31.3