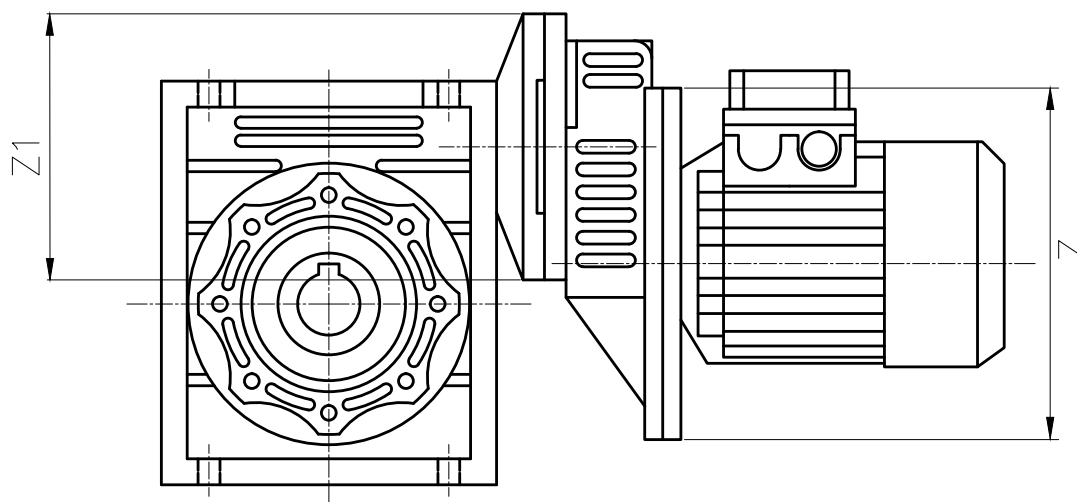


Data Sheet**BG Series - BGPC Type**

Type	Size	i=	PAM
BGPC	63	3	63B5
	71	3	71B5
	80	3	80B5
	90	2.45	90B5

	Z	Z1
BGPC 63	11/140	11/105
BGPC 71	14/160	14/120
BGPC 80	19/200	19/160
BGPC 90	24/200	24/160

Product key example: **BGPC 80/090 150 80B5 B3**



Data Sheet

BG Series - BGPC Type

Type	i-ratio	n2 r/min	Kw=P1	Nm=T2
BGPC 63/040	90	15.6	0.18	61
	120	11.7	0.18	52
	150	9.3	0.18	46
	180	7.8	0.18	46
	240	5.8	0.18	40
	300	4.7	0.18	36

Type	i-ratio	n2 r/min	Kw=P1	Nm=T2
BGPC 63/050	90	15.6	0.18	69
	120	11.7	0.18	85
	150	9.3	0.18	89
	180	7.8	0.18	88
	240	5.8	0.18	76
	300	4.7	0.18	65

Type	i-ratio	n2 r/min	Kw=P1	Nm=T2
BGPC 71/050	90	15.6	0.25	97
	120	11.7	0.25	110
	150	9.3	0.25	112

Type	i-ratio	n2 r/min	Kw=P1	Nm=T2
BGPC 63/063	150	9.3	0.18	101
	180	7.8	0.18	115
	240	5.8	0.18	136
	300	4.7	0.18	121

Type	i-ratio	n2 r/min	Kw=P1	Nm=T2
BGPC 71/063	90	15.6	0.37	145
	90	15.6	0.25	98
	120	11.7	0.37	184
	120	11.7	0.25	124
	150	9.3	0.37	192
	150	9.3	0.25	129
	180	7.8	0.25	164
	240	5.8	0.25	139
	300	4.7	0.25	128

Type	i-ratio	n2 r/min	Kw=P1	Nm=T2
BGPC 71/075	90	15.6	0.37	153
	120	11.7	0.37	190
	150	9.3	0.37	220
	180	7.8	0.37	236
	180	7.8	0.25	159
	240	5.8	0.25	208
	300	4.7	0.25	210

Type	i-ratio	n2 r/min	Kw=P1	Nm=T2
BGPC 80/075	90	15.6	0.75	307
	120	11.7	0.55	278
	150	9.3	0.55	260

Type	i-ratio	n2 r/min	Kw=P1	Nm=T2
BGPC 71/090	180	7.8	0.37	260
	240	5.8	0.37	320
	300	4.7	0.37	345

Type	i-ratio	n2 r/min	Kw=P1	Nm=T2
BGPC 80/090	90	15.6	0.75	320
	120	11.7	0.75	397
	150	9.3	0.75	426
	180	7.8	0.75	425
240	5.8	0.55	374	

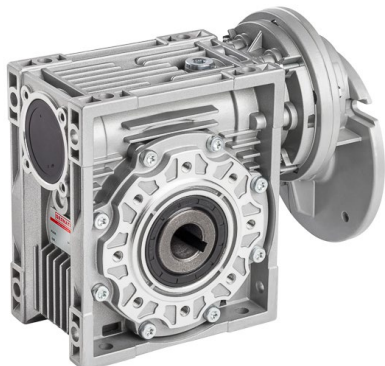
Type	i-ratio	n2 r/min	Kw=P1	Nm=T2
BGPC 80/110	120	11.7	0.75	421
	150	9.3	0.75	496
	180	7.8	0.75	569
	240	5.8	0.75	617
	300	4.7	0.55	585

Type	i-ratio	n2 r/min	Kw=P1	Nm=T2
BGPC 90/110	98	14.3	1.50	679
	122.5	11.4	1.50	801
	147	9.5	1.50	810
	147	9.5	1.10	595
	196	7.1	1.10	660

Type	i-ratio	n2 r/min	Kw=P1	Nm=T2
BGPC 90/130	98	14.3	1.50	679
	122.5	11.4	1.50	813
	147	9.5	1.50	917
	196	7.1	1.50	1013
	245	5.7	1.10	848

Data Sheet

BG Series - BGPC Type



BGPC	U	V	Z	W	P1	α°	b	t	Weight
63/040	6.5	26	35	60	M6x8n.4	45°	6	20.8	3.9
63/050	7	30	40	70	M8x10n.4	45°	8	28.3	5.2
71/050	7	30	40	70	M8x10n.4	45°	8	28.3	5.8
63/063	8	36	50	85	M8x14n.8	45°	8	28.3	7.9
71/063	8	36	50	85	M8x14n.8	45°	8	28.3	8.5
71/075	10	40	60	90	M8x14n.8	45°	8	31.3	11
80/075	10	40	60	90	M8x14n.8	45°	8	31.3	12.6
71/090	11	45	70	100	M10x18n.8	45°	10	38.3	14.3
80/090	11	45	70	100	M10x18n.8	45°	10	38.3	16.2
80(90)/110	14	50	85	115	M10x18n.8	45°	12	45.3	39
80(90)/130	15	60	100	120	M12x21n.8	45°	14	48.8	67.2

BGPC	B	F	D(H7)	G	H	R1	R	L	I	I2	C	I1	N(h8)	E1	P	Q	S	T
63/040	70	100	18	121.5	43	117	78	50	40	40	71	75	60	36.5	6.5	87	55	71.5
63/050	80	120	25	144	49	127	92	60	50	40	85	85	70	43.5	8.5	100	64	84
71/050	80	120	25	144	49	135	92	60	50	50	85	85	70	43.5	8.5	100	64	84
63/063	100	144	25	174	67	142	112	72	63	40	103	95	80	53	8.5	110	80	102
71/063	100	144	25	174	67	150	112	72	63	50	103	95	80	53	8.5	110	80	102
71/075	120	172	28	205	72	167.5	120	86	75	50	112	115	95	57	11	140	93	119
80/075	120	172	28	205	72	187.5	120	86	75	63	112	115	95	57	11	140	93	119
71/090	140	208	35	238	74	184.5	140	103	90	50	130	130	110	67	13	160	102	135
80/090	140	208	35	238	74	204.5	140	103	90	63	130	130	110	67	13	160	102	135
80(90)/110	170	252.5	42	295	-	235	155	127.5	110	63	144	165	130	74	14	200	125	167.5
80(90)/130	200	292.5	45	335	-	255	170	147.5	130	63	155	215	180	81	16	250	140	187.5

