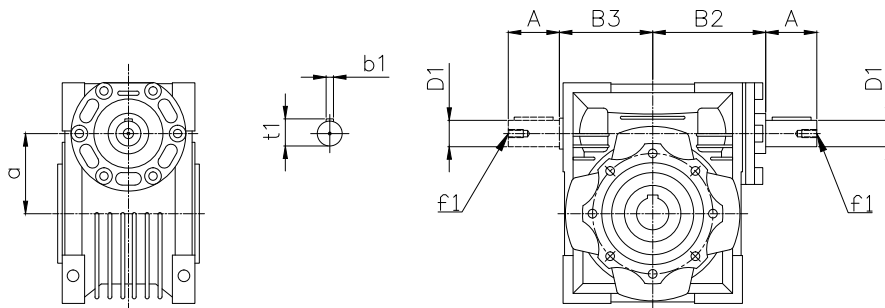


Data Sheet

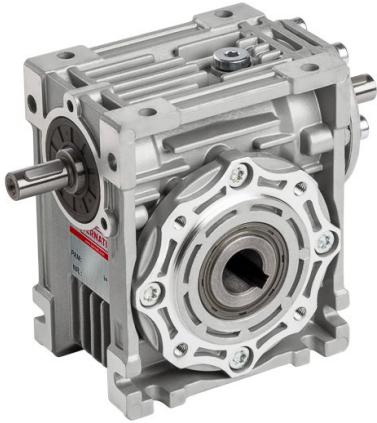
BG Series - BGSB Type - BGSB 040

Type	BGS BGSB	030	040	050	063	075	090	110	130	150
BGS BGSB	A	20	23	30	40	50	50	60	80	80
	D1 j6	9	11	14	19	24	24	28	30	35
	B2	51	60	74	90	105	125	142	162	195
	B3	45	53	64	75	90	108	135	155	175
	a	30	40	50	63	75	90	110	130	150
	b1	3	4	5	6	8	8	8	8	10
	f1	-	-	M6	M6	M8	M8	M10	M10	M12
	t1	10.2	12.5	16	21.5	27	27	31	33	38



Data Sheet

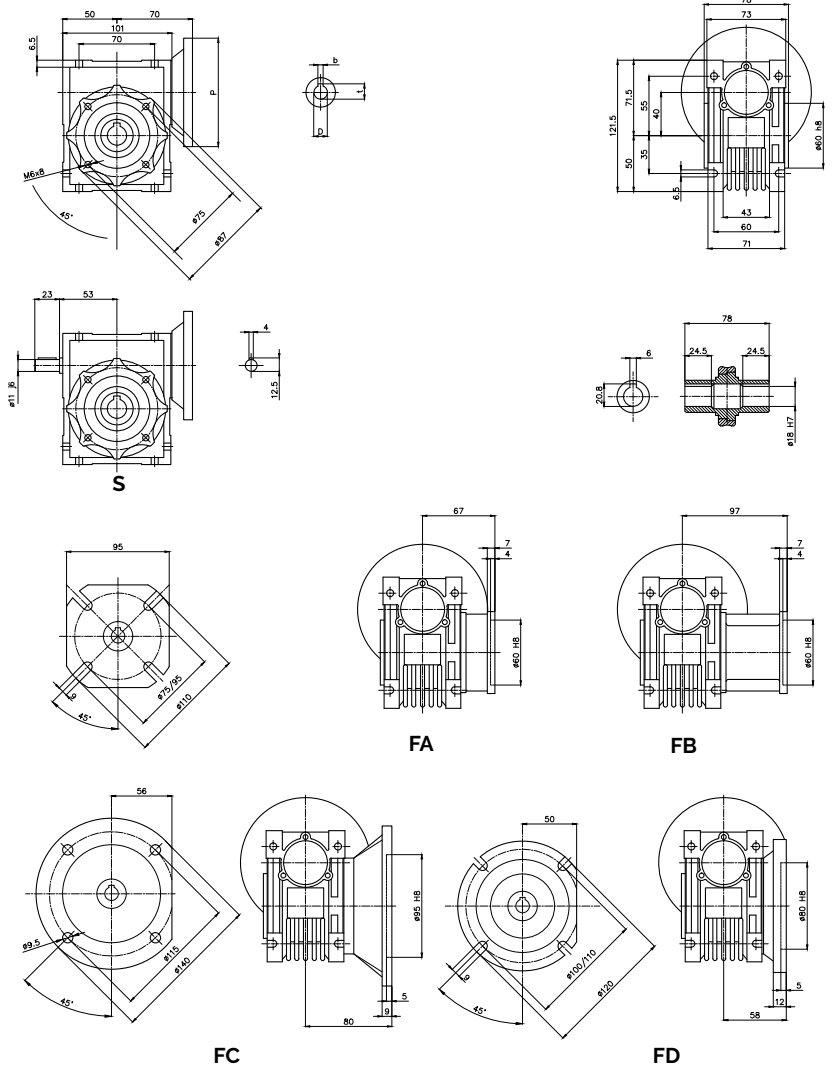
BG Series - BGSB Type - BGSB 040



Type	i-ratio	n2 r/min	Kw-P1	Nm-T2	f.s.	PAM IEC	
BGSB 040	7.5	186.7	0.55**	22	1.6	71/63	B5/B14
	10	140.0	0.55**	30	1.4	71/63	B5/B14
	15	93.3	0.55**	44	0.9	71/63	B5/B14
	20	70.0	0.55**	38	1.0	71/63	B5/B14
	25	56.0	0.37	45	0.9	71/63	B5/B14
	30	46.7	0.37	52	0.8	71/63	B5/B14
	40	35.0	0.25	43	0.9	71/63	B5/B14
	50	28.0	0.18	36	1.1	63/56	B5/B14*
	60	23.3	0.18	42	0.8	63/56	B5/B14*
	80	17.5	0.18	36	0.8	63/56	B5/B14*
100	14.0	0.18	35	0.8	63/56	B5/B14*	

* 56 only B5 **Size 71 motors

Gearbox Dimensions



PAM IEC	P	D _{EB}	b	t
71B5	160	14	5	16.3
63B5	140	11	4	12.8
56B5	120	9	3	10.4

PAM IEC	P	D _{EB}	b	t
71B14	105	14	5	16.3
63B14	90	11	4	12.8