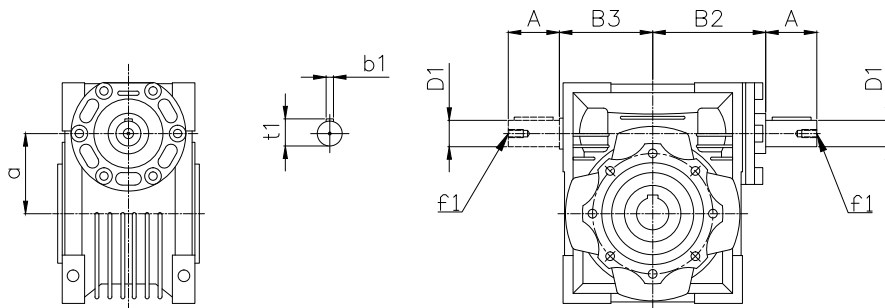


Data Sheet

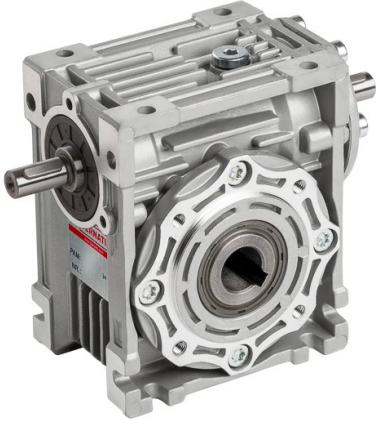
BG Series - BGSB Type - BGSB 130

Type	BGS BGSB	030	040	050	063	075	090	110	130	150
BGS BGSB	A	20	23	30	40	50	50	60	80	80
	D1 j6	9	11	14	19	24	24	28	30	35
	B2	51	60	74	90	105	125	142	162	195
	B3	45	53	64	75	90	108	135	155	175
	a	30	40	50	63	75	90	110	130	150
	b1	3	4	5	6	8	8	8	8	10
	f1	-	-	M6	M6	M8	M8	M10	M10	M12
	t1	10.2	12.5	16	21.5	27	27	31	33	38



Data Sheet

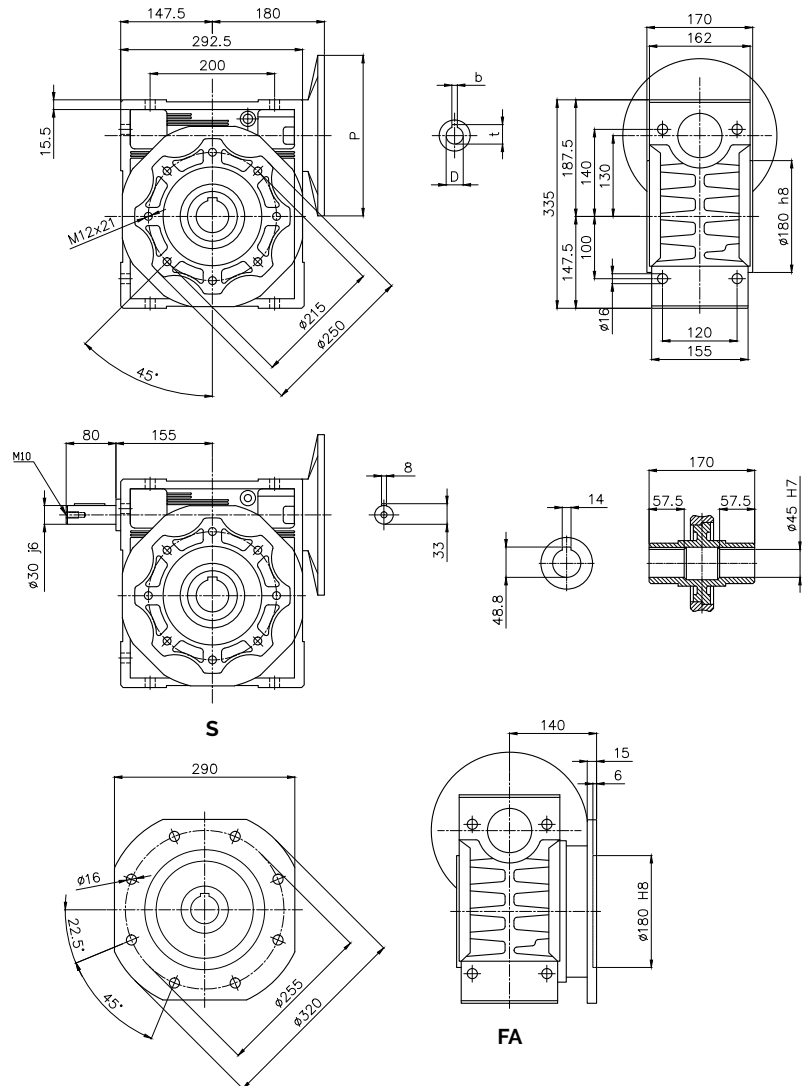
BG Series - BGSB Type - BGSB 130



Type	i-ratio	n2 r/min	Kw=P1	Nm=T2	f.s.	PAM IEC	
BGSB 130	7.5	186.7	7.50	348	2.2	132	B5/B14
	10	140.0	7.50	455	1.8	132	B5/B14
	15	93.3	7.50	660	1.2	132	B5/B14
	20	70.0	7.50	877	1.0	132	B5/B14
	25	56.0	7.50	1071	0.9	132	B5/B14
	30	46.7	7.50	1225	0.8	132/112/100	B5/B14
	40	35.0	5.50	1173	0.9	132/112/100	B5/B14
	50	28.0	4.00	1023	0.9	100	B5/B14
	60	23.3	3.00	886	1.1	100	B5/B14
	80	17.5	3.00	1112	0.8	100/90	B5/B14*
	100	14.0	1.50	652	1.1	100/90	B5/B14*

* 90 only B5

Gearbox Dimensions



PAM IEC	P	D _{EB}	b	t
132B5	300	38	10	41.3
112B5	250	28	8	31.3
100B5	250	28	8	31.3
90B5	200	24	8	27.3

PAM IEC	P	D _{EB}	b	t
132B14	200	38	10	41.3
112B14	160	28	8	31.3
100B14	160	28	8	31.3