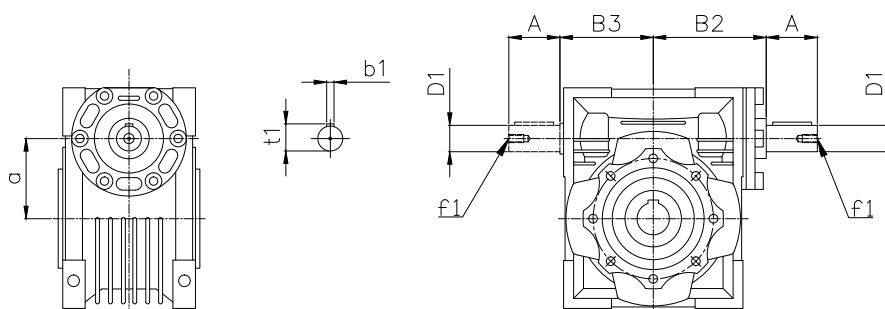


Data Sheet

BG Series - BGS Type - BGS 030

Type	BGS BGSB	030	040	050	063	075	090	110	130	150
BGS BGSB	A	20	23	30	40	50	50	60	80	80
	D1 j6	9	11	14	19	24	24	28	30	35
	B2	51	60	74	90	105	125	142	162	195
	B3	45	53	64	75	90	108	135	155	175
	a	30	40	50	63	75	90	110	130	150
	b1	3	4	5	6	8	8	8	8	10
	f1	-	-	M6	M6	M8	M8	M10	M10	M12
	t1	10.2	12.5	16	21.5	27	27	31	33	38



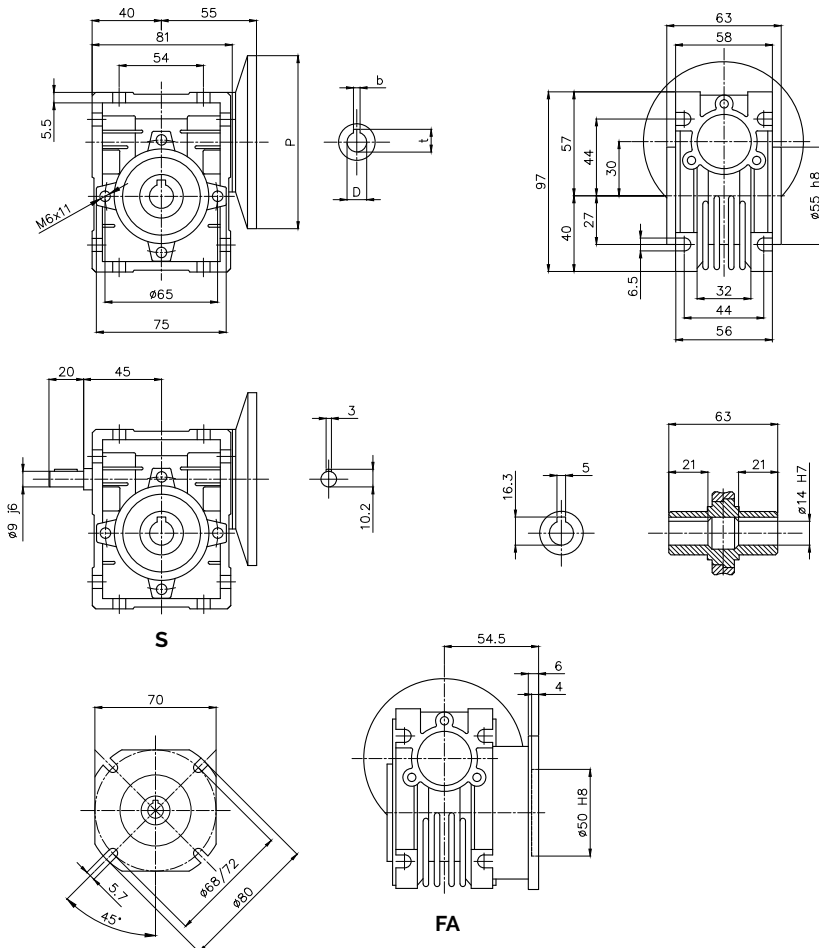
Data Sheet

BG Series - BGS Type - BGS 030

Type	i-ratio	n2 r/min	Kw=P1	Nm=T2	f.s.	PAM IEC	
BGS 030	7.5	186.7	0.25*	10	1.9	63/56	B5/B14
	10	140.0	0.25*	12.5	1.4	63/56	B5/B14
	15	93.3	0.18*	13	1.2	63/56	B5/B14
	20	70.0	0.18*	16	1.1	63/56	B5/B14
	25	56.0	0.18	20	1.0	63/56	B5/B14
	30	46.7	0.18	22	0.9	63/56	B5/B14
	40	35.0	0.18	21	0.8	63/56	B5/B14
	50	28.0	0.18	19	0.8	63/56	B5/B14
	60	23.3	0.09	18	0.9	56	B5/B14
	80	17.5	0.09	13	0.9	56	B5/B14



*Size 63 motors



Gearbox Dimensions

PAM IEC	P	D _{EB}	b	t
63B5	140	11	4	12.8
56B5	120	9	3	10.4

PAM IEC	P	D _{EB}	b	t
63B14	90	11	4	12.8
56B14	80	9	3	10.4