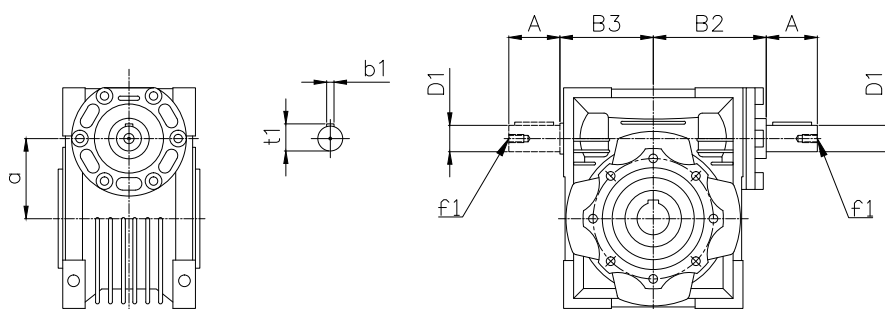


**Data Sheet**

**BG Series - BGS Type - BGS 050**

Type	BGS BGSB	030	040	050	063	075	090	110	130	150
<b>BGS   BGSB</b>	A	20	23	30	40	50	50	60	80	80
	D1 j6	9	11	14	19	24	24	28	30	35
	B2	51	60	74	90	105	125	142	162	195
	B3	45	53	64	75	90	108	135	155	175
	a	30	40	50	63	75	90	110	130	150
	b1	3	4	5	6	8	8	8	8	10
	f1	-	-	M6	M6	M8	M8	M10	M10	M12
	t1	10.2	12.5	16	21.5	27	27	31	33	38



# Data Sheet

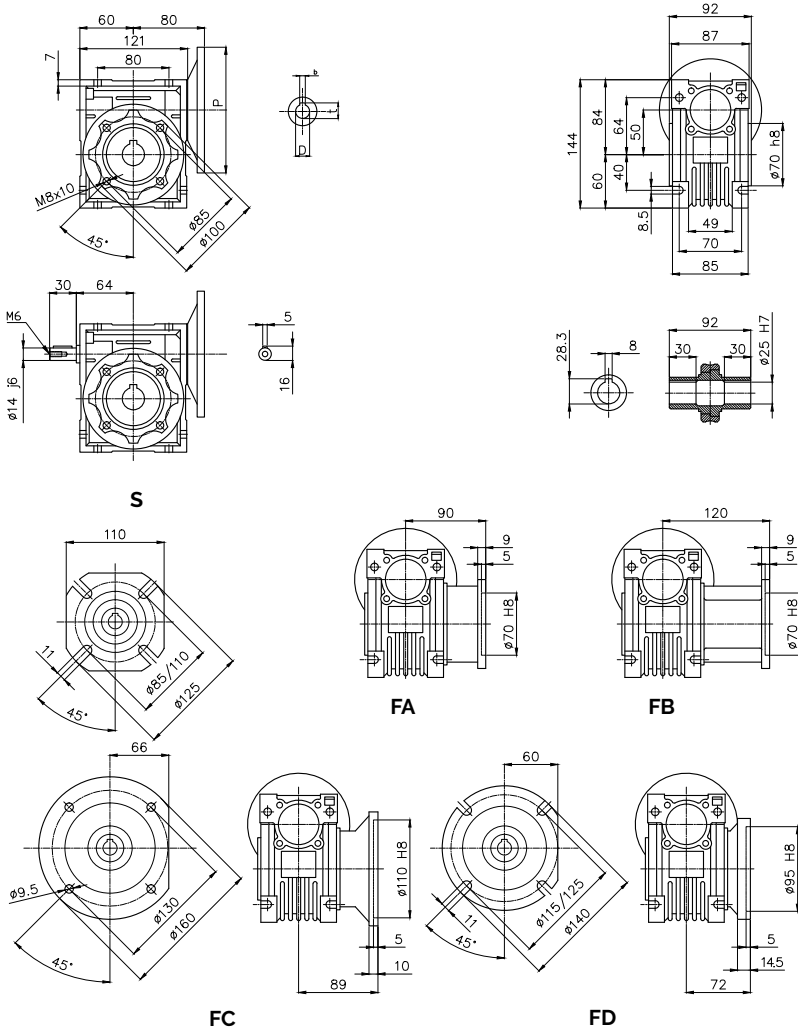
## BG Series - BGS Type - BGS 050

Type	i-ratio	n2 r/min	Kw=P1	Nm=T2	f.s.	PAM IEC	
<b>BGS 050</b>	7.5	186.7	0.75	33.3	2.0	80/71	B5/B14
	10	140.0	0.75	43.9	1.6	80/71	B5/B14
	15	93.3	0.75	62.6	1.2	80/71	B5/B14
	20	70.0	0.75	80	0.9	80/71	B5/B14
	25	56.0	0.55	70	1.0	80/71	B5/B14
	30	46.7	0.55	80	1.0	80/71	B5/B14
	40	35.0	0.37	67	1.1	80/71/63	B5/B14*
	50	28.0	0.37	78	0.9	71/63	B5/B14*
	60	23.3	0.37	87	0.8	71/63	B5/B14*
	80	17.5	0.25	70	0.9	71/63	B5/B14*
100	14.0	0.18	59	0.9	71/63	B5/B14*	



\* 63 only B5

Gearbox Dimensions



PAM IEC	P	D <sub>EB</sub>	b	t
<b>80B5</b>	200	19	6	21.8
<b>71B5</b>	160	14	5	16.3
<b>63B5</b>	140	11	4	12.8

PAM IEC	P	D <sub>EB</sub>	b	t
<b>80B14</b>	120	19	6	21.8
<b>71B14</b>	105	14	5	16.3