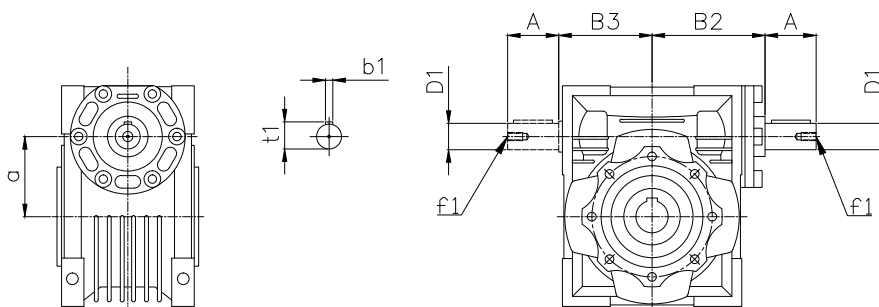


Data Sheet

BG Series - BGS Type - BGS 090

Type	BGS BGSB	030	040	050	063	075	090	110	130	150
BGS BGSB	A	20	23	30	40	50	50	60	80	80
	D1j6	9	11	14	19	24	24	28	30	35
	B2	51	60	74	90	105	125	142	162	195
	B3	45	53	64	75	90	108	135	155	175
	a	30	40	50	63	75	90	110	130	150
	b1	3	4	5	6	8	8	8	8	10
	f1	-	-	M6	M6	M8	M8	M10	M10	M12
	t1	10.2	12.5	16	21.5	27	27	31	33	38



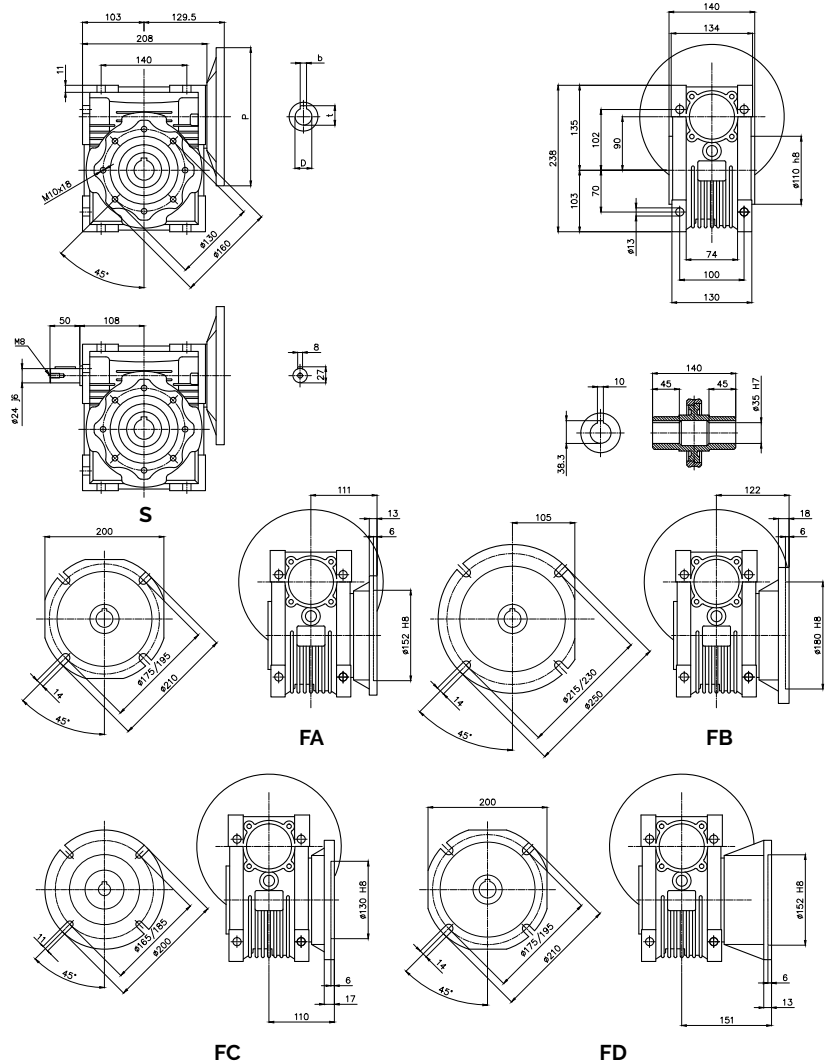
Data Sheet

BG Series - BGS Type - BGS 090



Type	i-ratio	n2 r/min	Kw-P1	Nm-T2	f.s.	PAM IEC	
BGS 090	75	186.7	4.00	184	1.5	100/90	B5/B14
	10	140.0	4.00	242	1.3	100/90	B5/B14
	15	93.3	4.00	351	1.1	100/90	B5/B14
	20	70.0	4.00	456	0.8	100/90	B5/B14
	25	56.0	3.00	417	0.8	100/90	B5/B14
	30	46.7	3.00	478	0.9	100/90	B5/B14
	40	35.0	1.50	306	1.2	90/80	B5/B14
	50	28.0	1.50	367	1.0	90/80	B5/B14
	60	23.3	1.50	421	0.8	90/80	B5/B14
	80	17.5	0.75	257	1.1	80	B5/B14
	100	14.0	0.75	300	0.9	80	B5/B14

Gearbox Dimensions



PAM IEC	P	D _{EB}	b	t
100/112B5	250	28	8	31.3
90B5	200	24	8	27.3
80B5	200	19	6	21.8

PAM IEC	P	D _{EB}	b	t
100/112B14	160	28	8	31.3
90B14	140	24	8	27.3
80B14	120	19	6	21.8