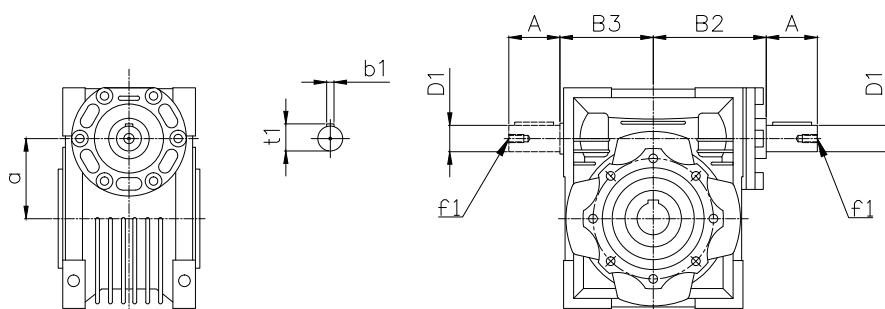


**Data Sheet**

**BG Series - BGS Type - BGS 150**

Type	BGS BGSB	030	040	050	063	075	090	110	130	150
<b>BGS   BGSB</b>	A	20	23	30	40	50	50	60	80	80
	D1 j6	9	11	14	19	24	24	28	30	35
	B2	51	60	74	90	105	125	142	162	195
	B3	45	53	64	75	90	108	135	155	175
	a	30	40	50	63	75	90	110	130	150
	b1	3	4	5	6	8	8	8	8	10
	f1	-	-	M6	M6	M8	M8	M10	M10	M12
	t1	10.2	12.5	16	21.5	27	27	31	33	38



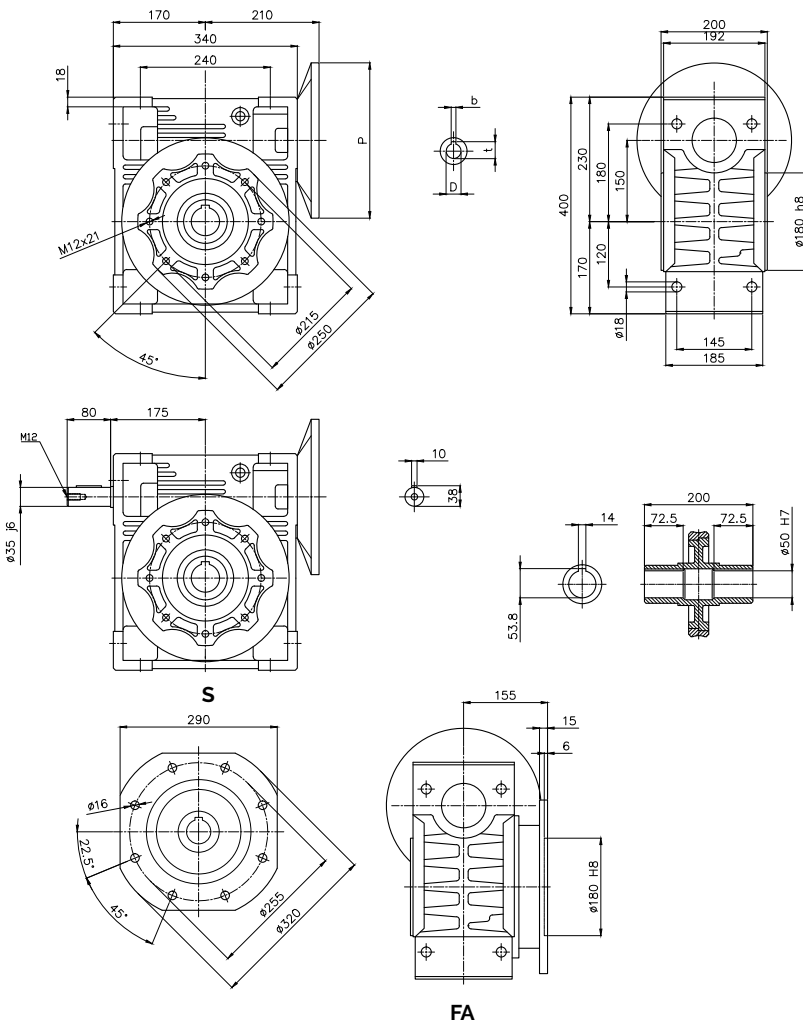
# Data Sheet

## BG Series - BGS Type - BGS 150

Type	i-ratio	n2 r/min	Kw=P1	Nm=T2	f.s.	PAM IEC	
<b>BGS 150</b>	7.5	186.7	15	680	1.6	160	B5
	10	140.0	15	905	1.2	160	B5
	15	93.3	15	1310	0.9	160	B5
	20	70.0	11	1270	1.0	160	B5
	25	56.0	11	1520	0.8	160	B5
	30	46.7	7.50	1240	0.8	132	B5
	40	35.0	7.50	1560	0.9	132	B5
	50	28.0	5.50	1405	0.9	132	B5
	60	23.3	5.50	1610	0.8	132	B5
	80	17.5	4	1430	0.8	112/100	B5
	100	14.0	3	1300	0.8	112/100	B5



Gearbox Dimensions



PAM IEC	P	D <sub>EB</sub>	b	t
<b>160B5</b>	350	42	12	45.3
<b>132B5</b>	300	38	10	41.3
<b>112B5</b>	250	28	8	31.3
<b>100B5</b>	250	28	8	31.3