

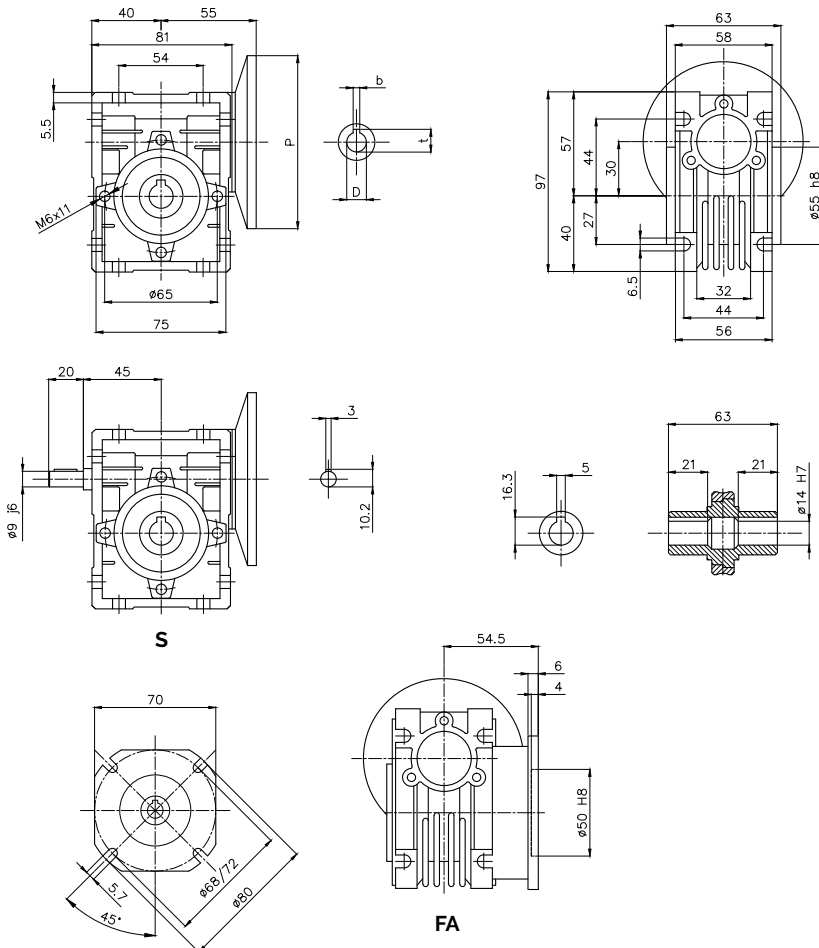
Data Sheet

BG Series - BG Type - BG 030

Type	i-ratio	n2 r/min	Kw-P1	Nm-T2	f.s.	PAM IEC	
BG 030	7.5	186.7	0.25*	10	1.9	63/56	B5/B14
	10	140.0	0.25*	12.5	1.4	63/56	B5/B14
	15	93.3	0.18*	13	1.2	63/56	B5/B14
	20	70.0	0.18*	16	1.1	63/56	B5/B14
	25	56.0	0.18	20	1.0	63/56	B5/B14
	30	46.7	0.18	22	0.9	63/56	B5/B14
	40	35.0	0.18	21	0.8	63/56	B5/B14
	50	28.0	0.18	19	0.8	63/56	B5/B14
	60	23.3	0.09	18	0.9	56	B5/B14
	80	17.5	0.09	13	0.9	56	B5/B14



*Size 63 motors



Gearbox Dimensions

PAM IEC	P	D _{EB}	b	t
63B5	140	11	4	12.8
56B5	120	9	3	10.4

PAM IEC	P	D _{EB}	b	t
63B14	90	11	4	12.8
56B14	80	9	3	10.4

Gearbox weight: 1,2kg