

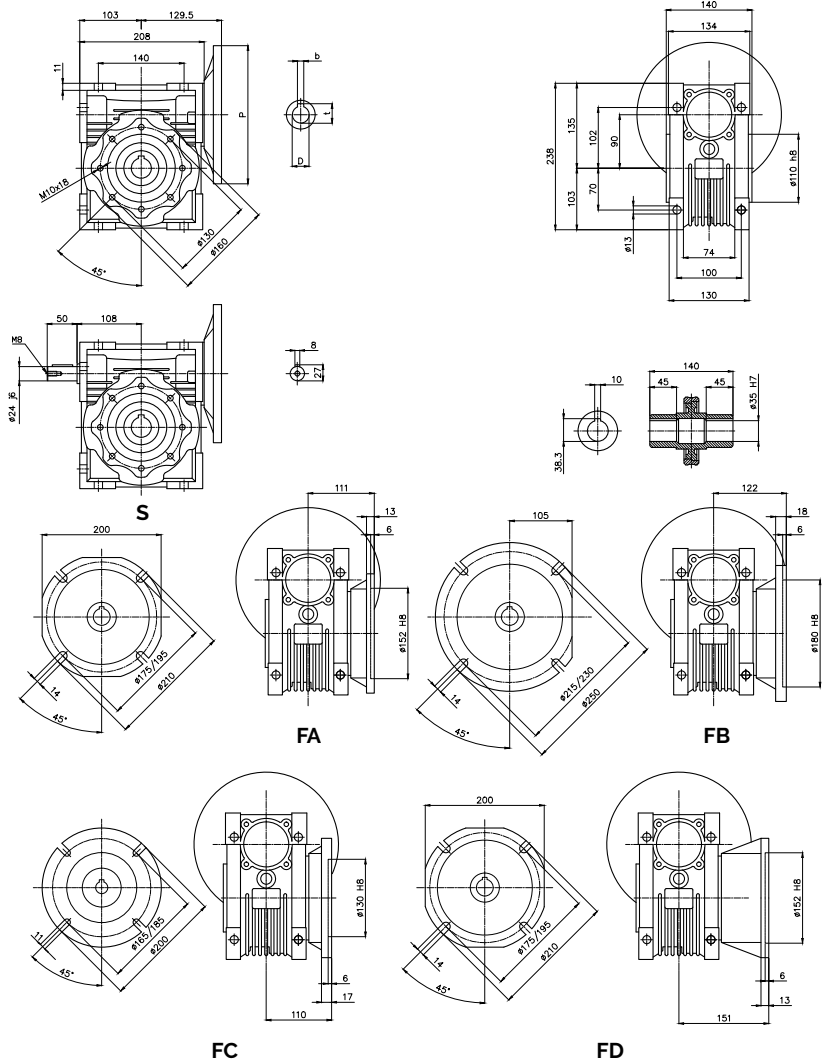
# Data Sheet

## BG Series - BG Type - BG 090



Type	i-ratio	n2 r/min	Kw=P1	Nm=T2	f.s.	PAM IEC	
<b>BG 090</b>	75	186.7	4.00	184	1.5	100/90	B5/B14
	10	140.0	4.00	242	1.3	100/90	B5/B14
	15	93.3	4.00	351	1.1	100/90	B5/B14
	20	70.0	4.00	456	0.8	100/90	B5/B14
	25	56.0	3.00	417	0.8	100/90	B5/B14
	30	46.7	3.00	478	0.9	100/90	B5/B14
	40	35.0	1.50	306	1.2	90/80	B5/B14
	50	28.0	1.50	367	1.0	90/80	B5/B14
	60	23.3	1.50	421	0.8	90/80	B5/B14
	80	17.5	0.75	257	1.1	80	B5/B14
100	14.0	0.75	300	0.9	80	B5/B14	

### Gearbox Dimensions



PAM IEC	P	D <sub>EB</sub>	b	t
<b>100/112B5</b>	250	28	8	31.3
<b>90B5</b>	200	24	8	27.3
<b>80B5</b>	200	19	6	21.8

PAM IEC	P	D <sub>EB</sub>	b	t
<b>100/112B14</b>	160	28	8	31.3
<b>90B14</b>	140	24	8	27.3
<b>80B14</b>	120	19	6	21.8

Gearbox weight: 13kg