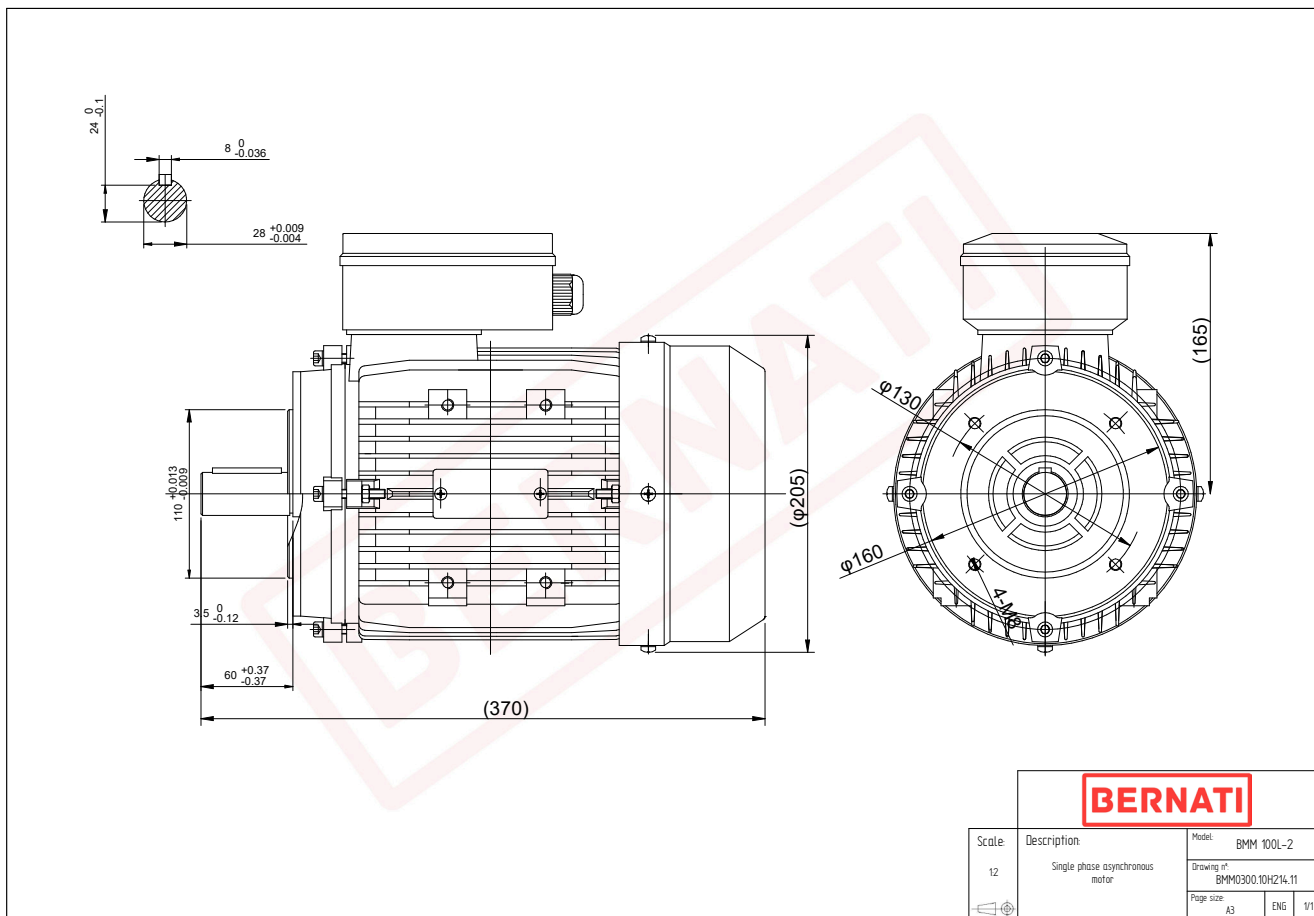


# Technical Datasheet

**BERNATI**

## BMM Series - Aluminum frame single phase electric motor



### BMM

Product Code	BMM0300.10H214.11
Motor Type/Frame	BMM 100L-2
Mounting	IM B14
Output Power (kW)	3.00
Speed (rpm)	2860
Tension (V)	230
Frequency (Hz)	50
Current (A)	16.70
Power factor (Cos Ø)	1.00
Poles	2
Insulation Class	F
IP Class	IP55
100% Efficiency	79.0
Torque (Nm)	10.00
Tstart / Tnominal	0.40
Istart / Inominal	4.50
Tmax / Tnominal	1.80
Noise (dB)	83
PTC Thermistor	N/A
Weight (Kg)	23
DE Bearing	6206 2RZ C3
NDE Bearing	6206 2RZ C3