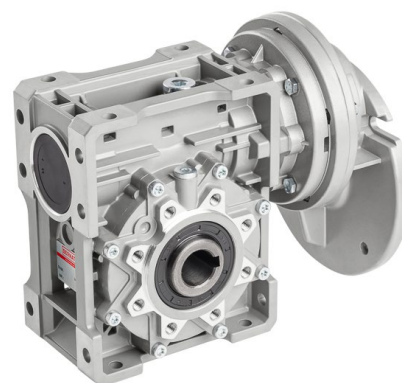


**Data Sheet**

**BV Series - BVPC Type - 80**

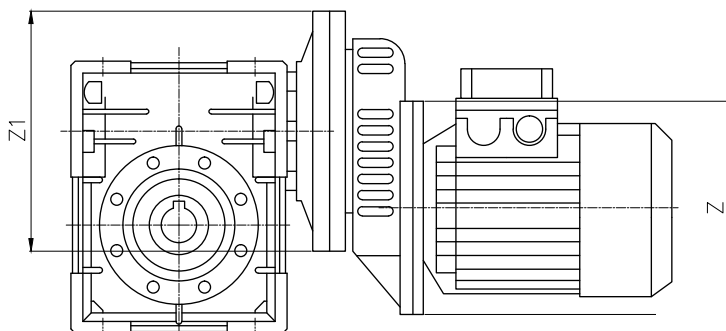
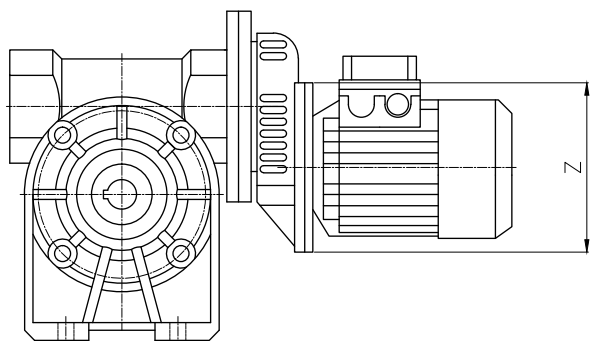
Type	SIZE	i=	PAM
<b>BVPC</b>	63	3	63B5
	71	3	71B5
	80	3	80B5

	Z	Z1
BVPC 63	11/140	11/105
BVPC 71	14/160	14/120
BVPC 80	19/200	19/160



**Esempio di chiave del prodotto: BVPC 80/090 168 80B5 B3**

**Exemplo de chave de produto: BVPC 80/090 168 80B5 B3**



# Data Sheet

## BV Series - BVPC Type - 80

Type	i-ratio	n2 r/min	Kw=P1	Nm=T2
BVPC 63/040	105	13.3	0.12	42
	138	10.1	0.12	42
	180	7.8	0.12	46
	210	6.7	0.12	40
	300	4.7	0.12	36

Type	i-ratio	n2 r/min	Kw=P1	Nm=T2
BVPC 63/050	108	12.9	0.18	72
	135	10.4	0.18	85
	180	7.8	0.12	65
	210	6.7	0.12	67
	240	5.8	0.12	58
	300	4.7	0.12	58

Type	i-ratio	n2 r/min	Kw=P1	Nm=T2
BVPC 71/050	84	16.7	0.25	80
	108	12.9	0.25	90
	135	10.4	0.25	90

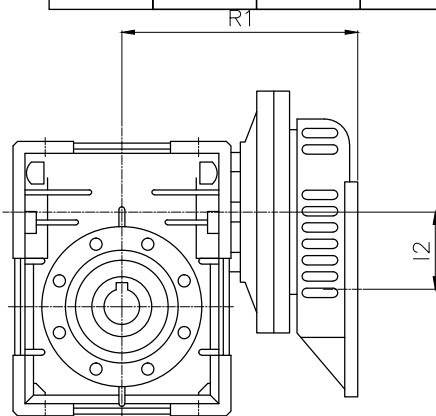
Type	i-ratio	n2 r/min	Kw=P1	Nm=T2
BVPC 71/063	114	12.3	0.37	170
	135	10.4	0.37	176
	192	7.3	0.25	149
	240	5.8	0.25	130
	300	4.7	0.25	120

Type	i-ratio	n2 r/min	Kw=P1	Nm=T2
BVPC 71/075	120	11.7	0.55	280
	150	9.3	0.37	215
	180	7.8	0.37	235
	240	5.8	0.37	210
	300	4.7	0.25	275

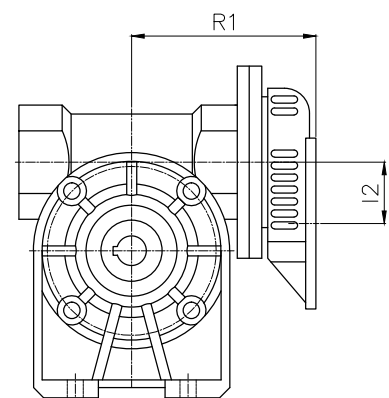
Type	i-ratio	n2 r/min	Kw=P1	Nm=T2
BVPC 80/075	90	15.6	0.75	310
	120	11.7	0.75	300
	150	9.3	0.75	260

Type	i-ratio	n2 r/min	Kw=P1	Nm=T2
BVPC 71/090	168	8.3	0.55	350
	192	7.3	0.37	280
	240	5.8	0.37	290
	300	4.7	0.37	275

Type	i-ratio	n2 r/min	Kw=P1	Nm=T2
BVPC 80/090	120	11.7	0.75	390
	138	10.1	0.75	360
	168	8.3	0.55	350
	192	7.3	0.55	330
	240	5.8	0.55	305



BVPC 063-075-090



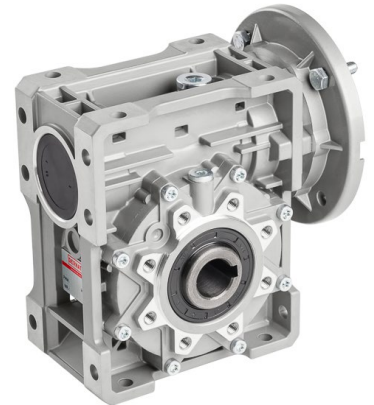
BVPC 040-050

BVPC	R1	I2
63/040	115	40
63/050	120	40
71/050	129	50
71/063	160	50
71/075	183	50
80/075	203	63
71/090	194	50
80/090	214	63

**Data Sheet**

**BV Series - BVPC Type**

Type	i-ratio	n2 r/min	Kw=P1	Nm=T2	f.s.	PAM IEC	
<b>BV 090</b>	7	200	4	170	1.5	112/100/90	B5/B14
	10	140	4	240	1.2	112/100/90	B5/B14
	15	93	4	350	0.9	112/100/90	B5/B14
	20	70	3.00	340	0.9	100/90	B5/B14
	23	61	2.20	280	1.1	100/90	B5/B14
	30	47	2.20	340	1.1	100/90	B5/B14
	40	35	1.5	276	1.1	90/80	B5/B14
	46	30	1.5	340	1.0	90/80	B5/B14
	56	25	1.1	290	1.0	90/80	B5/B14
	64	22	1.1	290	0.9	90/80	B5/B14
	80	17	0.75	260	1.0	90/80	B5/B14
	100	14	0.55	220	1.0	80	B5/B14



**Gearbox Dimensions**

