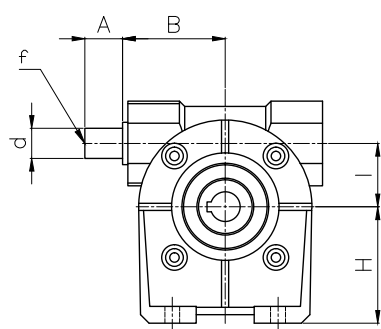


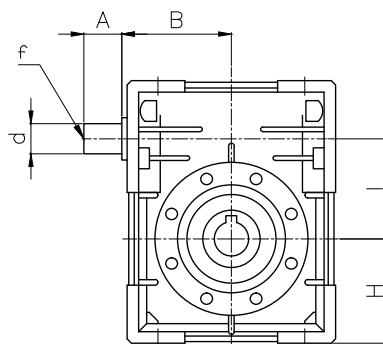
Data Sheet

BV Series - BVSB Type - BVS 050

| Type | A | B | C | D(H7) | d(h6) | f | H | I | R | b | t |
|---------|----|-------|---|-------|-------|----|------|-------|-----|----|------|
| BVS 030 | 20 | 50 | - | 14 | 9 | - | 55 | 30 | 55 | 5 | 16,3 |
| BVS 040 | 30 | 54 | - | 18 | 11 | - | 72 | 44,6 | 64 | 6 | 20,8 |
| BVS 050 | 40 | 65 | - | 25 | 16 | M6 | 82 | 49,5 | 82 | 8 | 28,3 |
| BVS 063 | 40 | 110,5 | - | 25 | 18 | M6 | 72,5 | 62,17 | 120 | 8 | 28,3 |
| BVS 075 | 40 | 128 | - | 30 | 19 | M6 | 87 | 75 | 127 | 8 | 33,3 |
| BVS 090 | 50 | 144 | - | 35 | 25 | M8 | 100 | 86,9 | 140 | 10 | 38,3 |

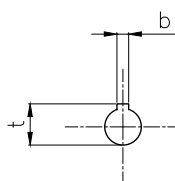
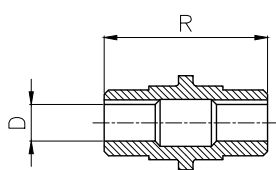


BVS 030-040-050



BVS 063-075-090

Output shaft dimensions



Data Sheet

BV Series - BVS Type - BVS 050



| Type | i-ratio | n2 r/min | Kw=P1 | Nm=T2 | f.s. | PAM IEC | |
|----------------|---------|----------|-------|-------|------|---------|--------|
| BVS 050 | 7 | 200 | 1.1* | 40 | 1.4 | 80/71 | B5/B14 |
| | 10 | 140 | 1.1* | 49 | 1.2 | 80/71 | B5/B14 |
| | 14 | 100 | 0.75 | 57 | 1.1 | 80/71 | B5/B14 |
| | 18 | 78 | 0.55 | 52 | 1.1 | 80/71 | B5/B14 |
| | 24 | 58 | 0.55 | 67 | 0.9 | 80/71 | B5/B14 |
| | 28 | 50 | 0.55 | 73 | 1.0 | 80/71 | B5/B14 |
| | 36 | 39 | 0.37 | 61 | 1.1 | 71 | B5/B14 |
| | 45 | 31 | 0.37 | 65 | 0.9 | 71/63 | B5/B14 |
| | 60 | 23 | 0.25 | 60 | 1.0 | 71/63 | B5/B14 |
| | 70 | 20 | 0.18 | 45 | 1.1 | 63 | B5/B14 |
| | 80 | 17 | 0.18 | 54 | 1.0 | 63 | B5/B14 |
| | 100 | 14 | 0.18 | 50 | 0.9 | 63 | B5/B14 |

Gearbox Dimensions

