

Data Sheet

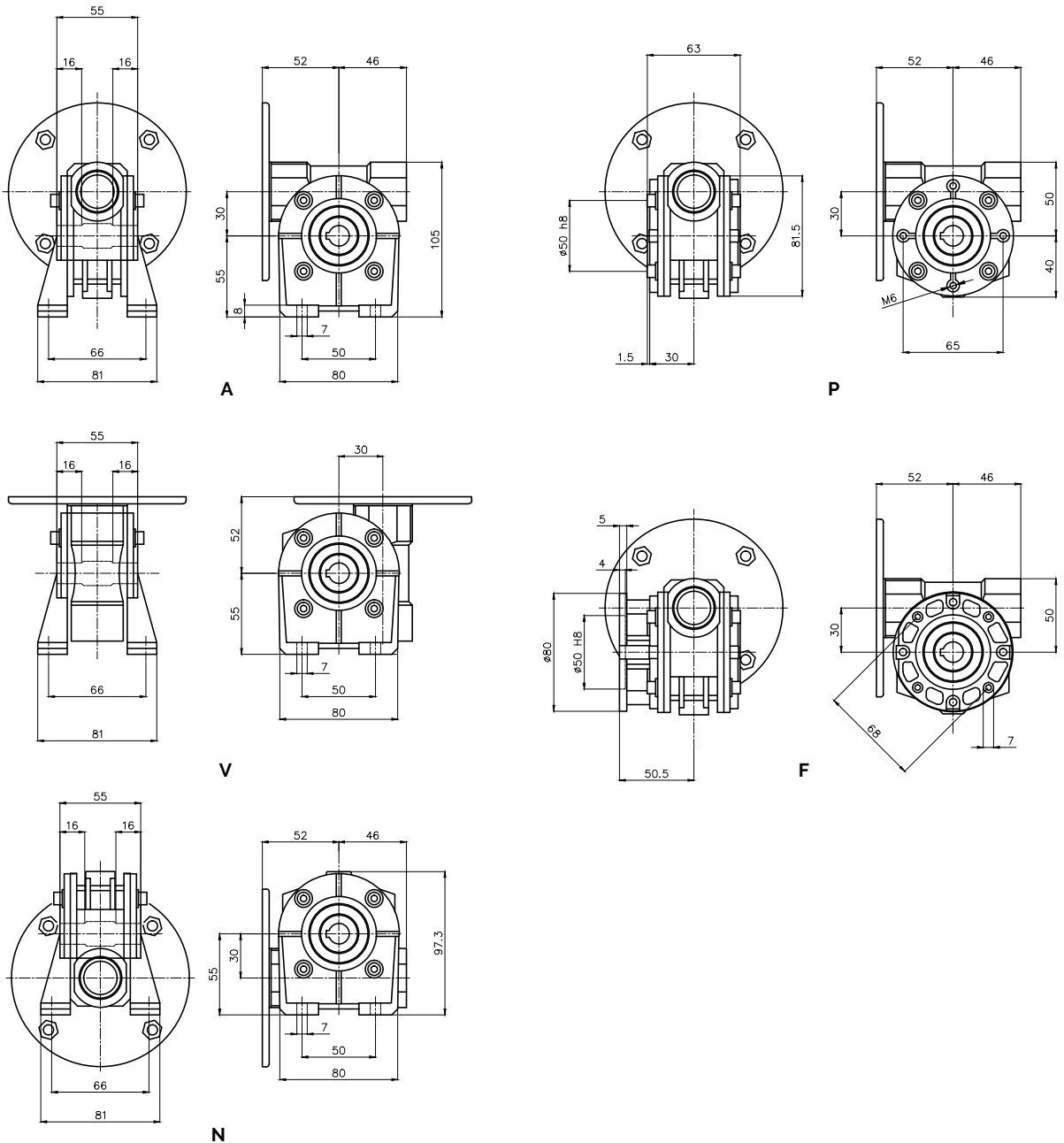
BV Series - BV Type - BV 030



Type	i-ratio	n2 r/min	Kw=P1	Nm=T2	f.s.	PAM IEC	
BV 030	7	200	0.25	9	1.6	63/56	B5/B14
	10	140	0.25	12.5	1.2	63/56	B5/B14
	15	93	0.18	13	1.2	63/56	B5/B14
	20	70	0.18	16	1.1	63/56	B5/B14
	30	47	0.18	22	0.8	63/56	B5/B14
	40	35	0.12	18	1.0	63/56	B5/B14
	60	23	0.09	18	1.0	63/56	B5/B14
	70	20	0.09	15	0.9	56	B5/B14

*Size 63 motors

Gearbox Dimensions



Gearbox weight: 1kg