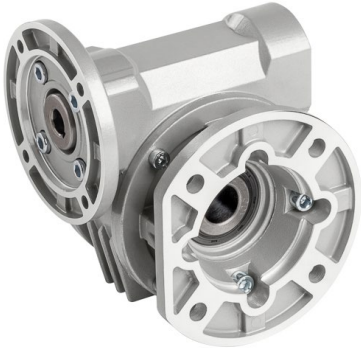


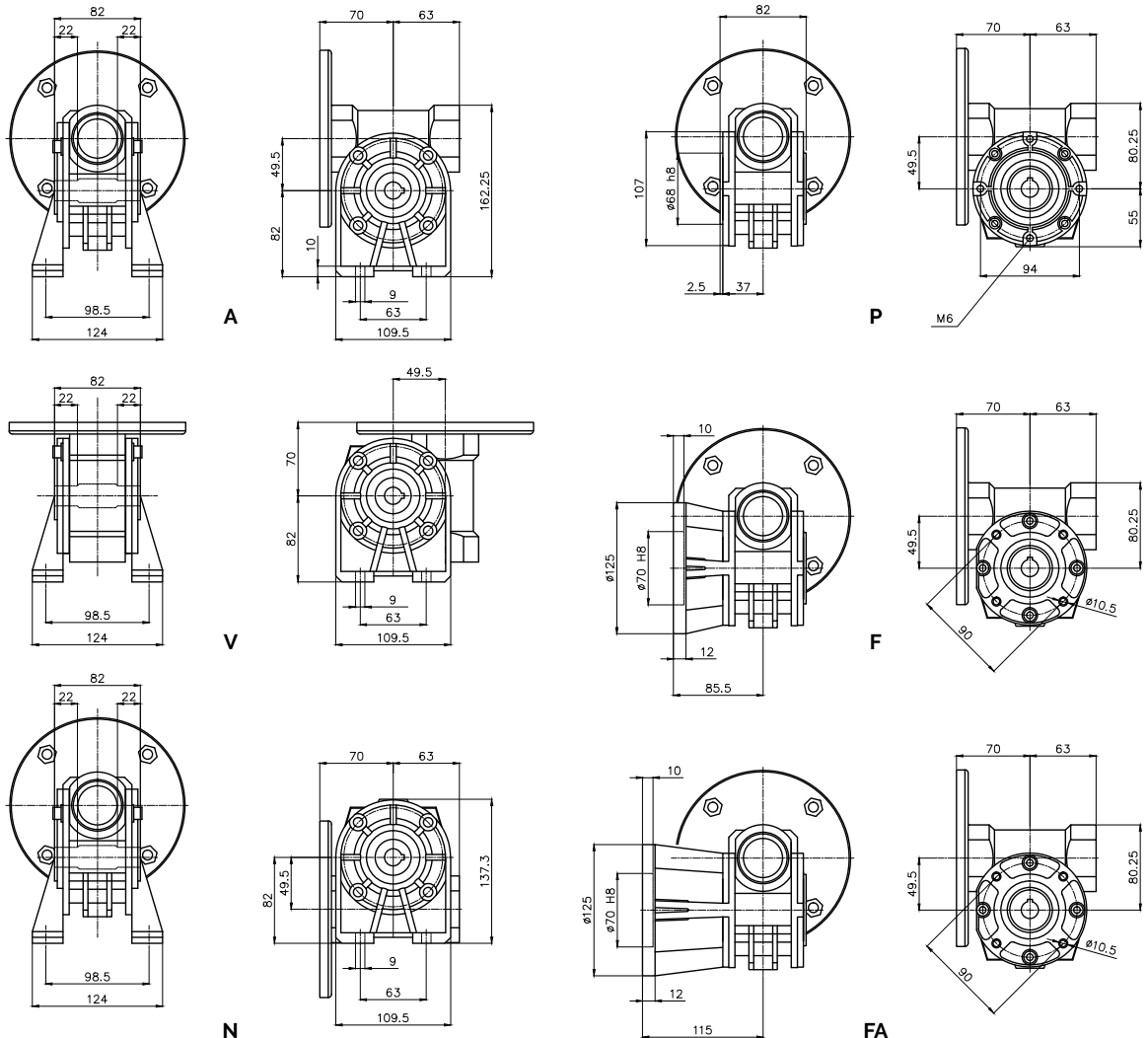
**Data Sheet**

**BV Series - BV Type - BV 050**



Type	i-ratio	n2 r/min	Kw=P1	Nm=T2	f.s.	PAM IEC	
<b>BV 050</b>	7	200	1.1	40	1.4	80/71	B5/B14
	10	140	1.1	49	1.2	80/71	B5/B14
	14	100	0.75	57	1.1	80/71	B5/B14
	18	78	0.55	52	1.1	80/71	B5/B14
	24	58	0.55	67	0.9	80/71	B5/B14
	28	50	0.55	73	1.0	80/71	B5/B14
	36	39	0.37	61	1.1	71	B5/B14
	45	31	0.37	65	0.9	71/63	B5/B14
	60	23	0.25	60	1.0	71/63	B5/B14
	70	20	0.18	45	1.1	63	B5/B14
	80	17	0.18	54	1.0	63	B5/B14
	100	14	0.18	50	0.9	63	B5/B14

**Gearbox Dimensions**



**Gearbox weight: 3kg**