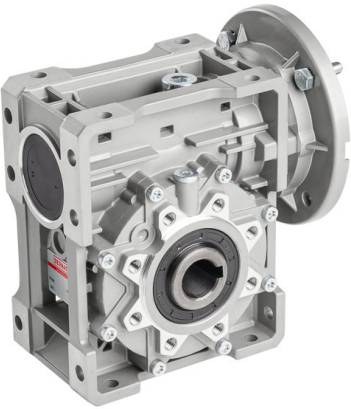


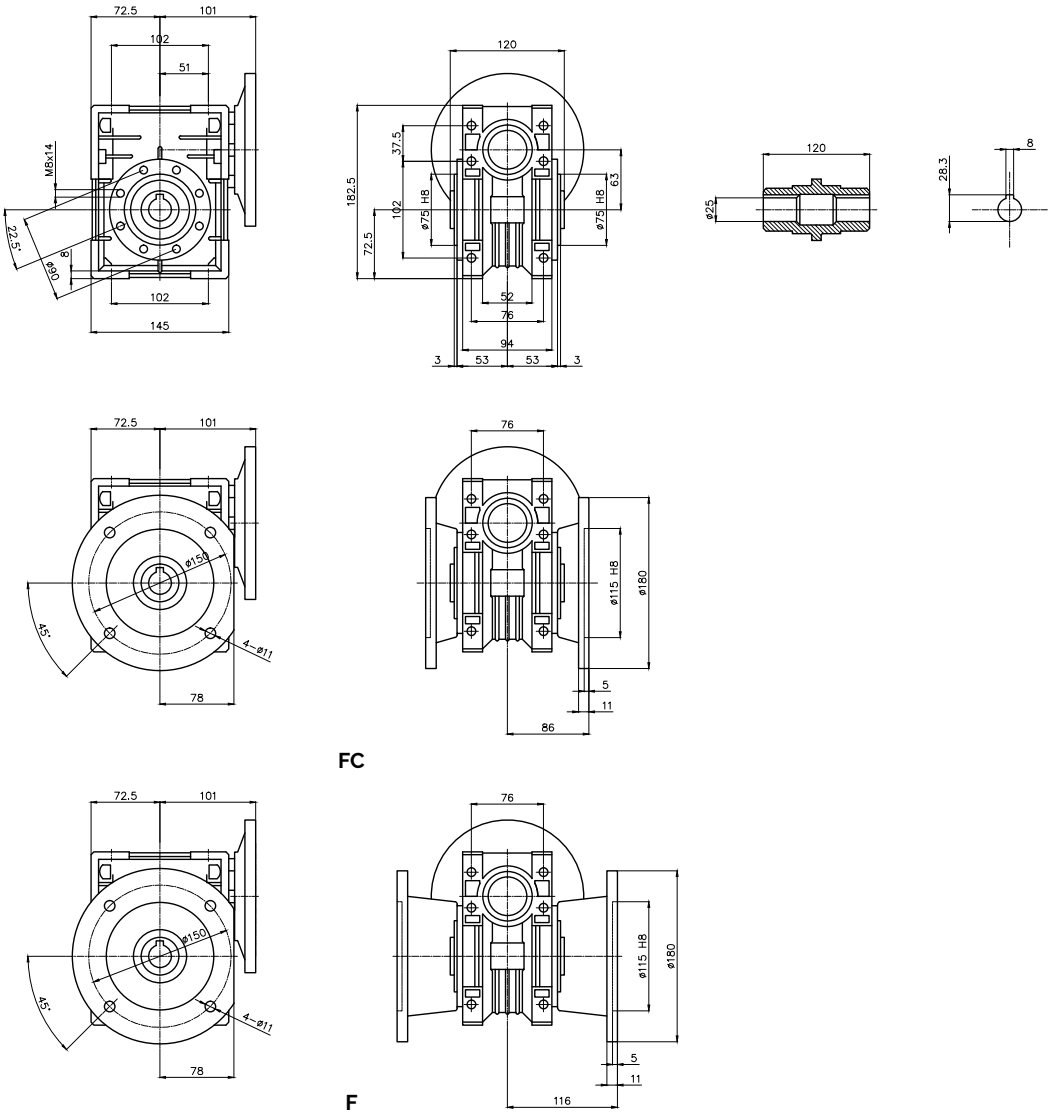
**Data Sheet**

**BV Series - BV Type - BV 063**

Type	i-ratio	n2 r/min	Kw=P1	Nm=T2	f.s.	PAM IEC	
<b>BV 063</b>	7	200	2.2'	89	1.3	90/80	B5/B14
	10	140	2.2'	125	1.1	90/80	B5/B14
	12	117	1.5'	105	1.4	90/80	B5/B14
	15	93	1.5'	118	1.2	90/80	B5/B14
	19	74	1.50	150	1.0	90/80	B5/B14
	24	58	1.10	138	1.1	90/80	B5/B14
	30	47	1.10	155	1.0	90/80	B5/B14
	38	37	0.75	133	1.1	90/80	B5/B14
	45	31	0.75	152	0.9	80/71	B5/B14
	64	22	0.37	101	1.2	80/71	B5/B14
	80	17	0.37	112	1.0	71	B5/B14
	100	14	0.37	110	1.0	71	B5/B14



\*Size 90 motors



Gearbox Dimensions