

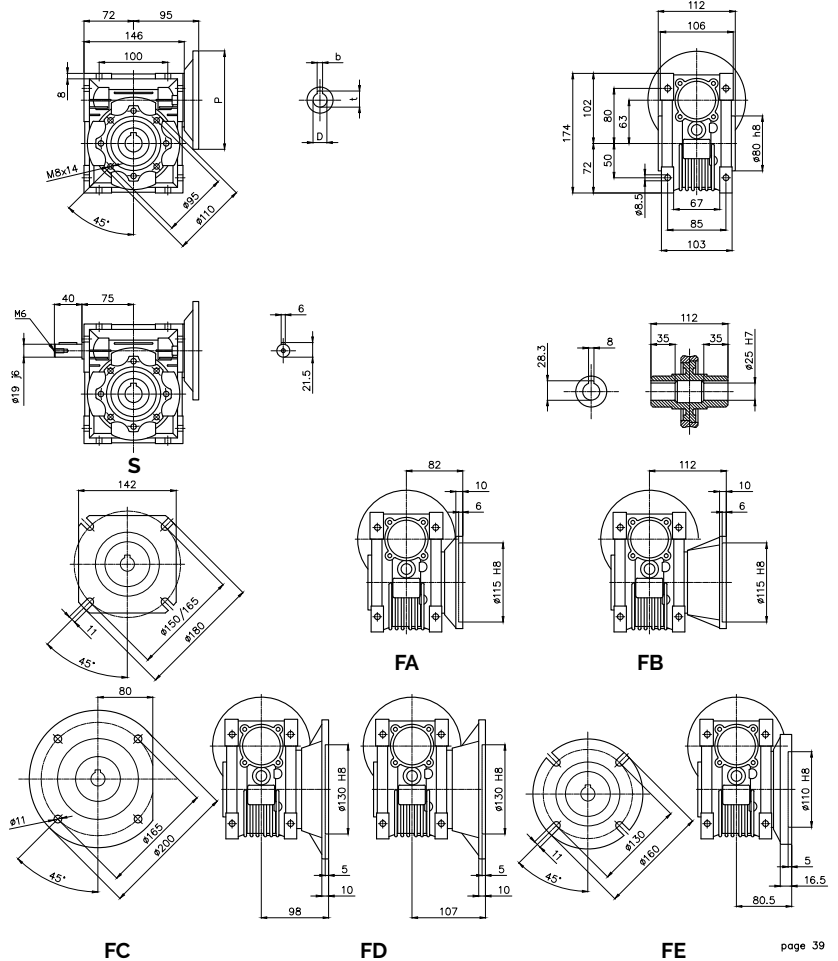
Data Sheet

BG Series - BG Type - BG 063



Type	i-ratio	n2 r/min	Kw=P1	Nm=T2	f.s.	PAM IEC	
BG 063	75	186.7	150	67.4	1.8	90/80	B5/B14
	10	140.0	150	88.6	1.4	90/80	B5/B14
	15	93.3	150	126	1.19	90/80	B5/B14
	20	70.0	150	164	0.8	90/80	B5/B14
	25	56.0	110	145	0.9	90/80	B5/B14
	30	46.7	110	165	1.0	90/80	B5/B14
	40	35.0	0.75	143	1.0	80/71	B5/B14
	50	28.0	0.55	122	1.1	80/71	B5/B14
	60	23.3	0.55	138	0.9	80/71	B5/B14
	80	17.5	0.37	114	1.1	80/71	B5/B14
	100	14.0	0.37	127	0.9	71	B5/B14

Gearbox Dimensions



PAM IEC	P	D _{E8}	b	t
90B5	200	24	8	27.3
80B5	200	19	6	21.8
71B5	160	14	5	16.3

PAM IEC	P	D _{E8}	b	t
90B14	140	24	8	27.3
80B14	120	19	6	21.8
71B14	105	14	5	16.3